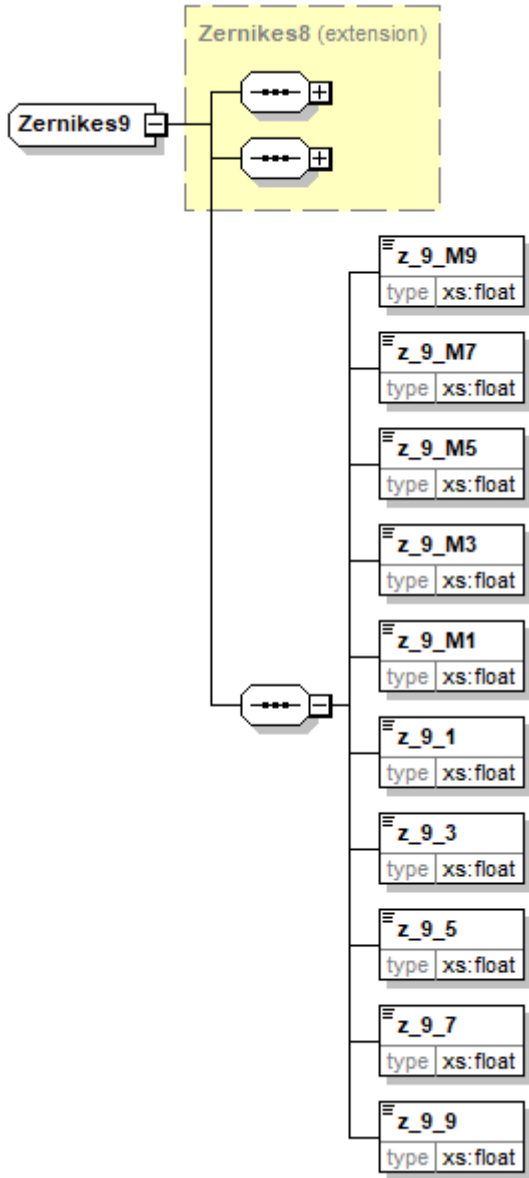


zernikes9 (Zernikes9)

b2boptic → items → item → pair → patient → iProfilerData → result → wavefrontCornea → zernikes → zernikes9



base element	
type	zernikes8
z_9_M9	
type	float
unity	
occurs	1
description	
z_9_M7	
type	float
unity	
occurs	1

z_9_M7	
description	
z_9_M5	
type	float
unity	
occurs	1
description	
z_9_M3	
type	float
unity	
occurs	1
description	
z_9_M1	
type	float
unity	
occurs	1
description	
z_9_1	
type	float
unity	
occurs	1
description	
z_9_3	
type	float
unity	
occurs	1
description	
z_9_5	
type	float
unity	
occurs	1
description	
z_9_7	
type	float
unity	
occurs	1
description	
z_9_9	
type	float
unity	
occurs	1
description	

```
<xs:complexType name="Zernikes9">  
  <xs:complexContent mixed="false">
```

```
<xs:extension base="Zernikes8">  
  <xs:sequence>  
    <xs:element name="z_9_M9" type="xs:float" />  
    <xs:element name="z_9_M7" type="xs:float" />  
    <xs:element name="z_9_M5" type="xs:float" />  
    <xs:element name="z_9_M3" type="xs:float" />  
    <xs:element name="z_9_M1" type="xs:float" />  
    <xs:element name="z_9_1" type="xs:float" />  
    <xs:element name="z_9_3" type="xs:float" />  
    <xs:element name="z_9_5" type="xs:float" />  
    <xs:element name="z_9_7" type="xs:float" />  
    <xs:element name="z_9_9" type="xs:float" />  
  </xs:sequence>  
</xs:extension>  
</xs:complexContent>  
</xs:complexType>
```

From:
<https://wiki.b2boptic.com/> - **wiki.b2bOptic.com**

Permanent link:
<https://wiki.b2boptic.com/en:lensorder:version010604:complextypes:zernikes9:wavefrontcornea>

Last update: **2017/06/19 12:51**

