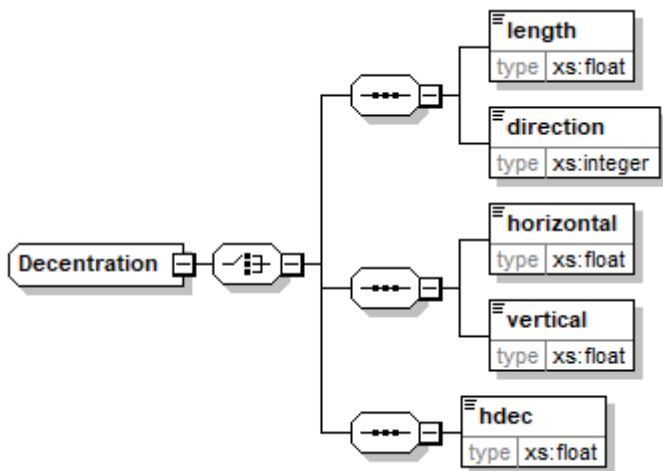


# decentration (Decentration)

b2boptic → items → item → pair → lens → geometry → decentration



<b>length</b>	
<b>type</b>	float
<b>unity</b>	mm
<b>occurs</b>	1 (not together with horizontal, vertical or hdec)
<b>description</b>	
<b>direction</b>	
<b>type</b>	integer
<b>unity</b>	degree
<b>occurs</b>	1 (not together with horizontal, vertical or hdec)
<b>description</b>	
<b>horizontal</b>	
<b>type</b>	float
<b>unity</b>	mm
<b>occurs</b>	1 (not together with length, direction or hdec)
<b>description</b>	
<b>vertical</b>	
<b>type</b>	float
<b>unity</b>	mm
<b>occurs</b>	1 (not together with length, direction or hdec)
<b>description</b>	
<b>hdec</b>	
<b>type</b>	float
<b>unity</b>	mm
<b>occurs</b>	1 (not together with length, direction, horizontal or vertical)
<b>description</b>	

```
<xs:complexType name="Decentration">
  <xs:choice>
    <xs:sequence>
```

```
<xs:element name="length" type="xs:float" />
<xs:element name="direction" type="xs:integer" />
</xs:sequence>
<xs:sequence>
  <xs:element name="horizontal" type="xs:float" />
  <xs:element name="vertical" type="xs:float" />
</xs:sequence>
<xs:sequence>
  <xs:element name="hdec" type="xs:float" />
</xs:sequence>
</xs:choice>
</xs:complexType>
```

From:  
<https://wiki.b2boptic.com/> - **wiki.b2bOptic.com**

Permanent link:  
<https://wiki.b2boptic.com/en:lensorder:version010604:complextypes:decentration>

Last update: **2017/06/19 12:41**

