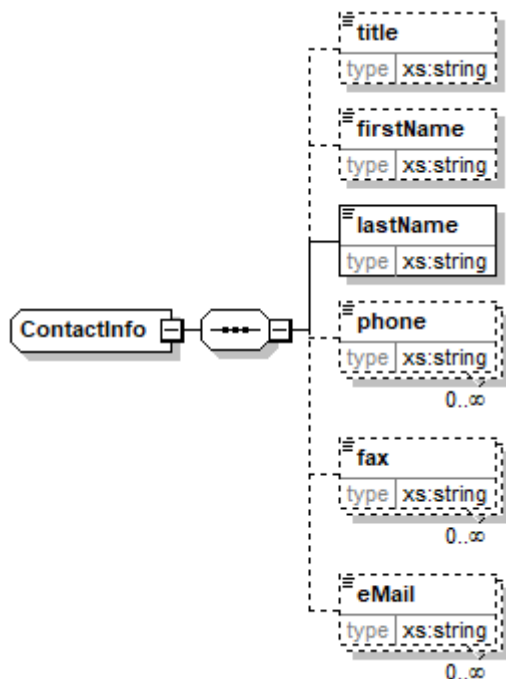


# contact (ContactInfo)

b2boptic → items → item → pair → patient → contact



<b>title</b>	
<b>type</b>	string
<b>occurs</b>	0..1
<b>description</b>	
<b>firstName</b>	
<b>type</b>	string
<b>occurs</b>	0..1
<b>description</b>	
<b>lastName</b>	
<b>type</b>	string
<b>occurs</b>	1
<b>description</b>	
<b>phone</b>	
<b>type</b>	string
<b>occurs</b>	0..n
<b>description</b>	
<b>fax</b>	
<b>type</b>	string
<b>occurs</b>	0..n
<b>description</b>	
<b>eMail</b>	
<b>type</b>	string
<b>occurs</b>	0..n
<b>description</b>	

```
<xs:complexType name="ContactInfo">
  <xs:sequence>
    <xs:element name="title" type="xs:string" minOccurs="0"/>
    <xs:element name="firstName" type="xs:string" minOccurs="0"/>
    <xs:element name="lastName" type="xs:string"/>
    <xs:element name="phone" type="xs:string" minOccurs="0"
maxOccurs="unbounded"/>
    <xs:element name="fax" type="xs:string" minOccurs="0"
maxOccurs="unbounded"/>
    <xs:element name="eMail" type="xs:string" minOccurs="0"
maxOccurs="unbounded"/>
  </xs:sequence>
</xs:complexType>
```

From:  
<https://wiki.b2boptic.com/> - **wiki.b2bOptic.com**

Permanent link:  
<https://wiki.b2boptic.com/en:lensorder:version010604:complextypes:contactinfo:patient>

Last update: **2017/06/19 12:39**

