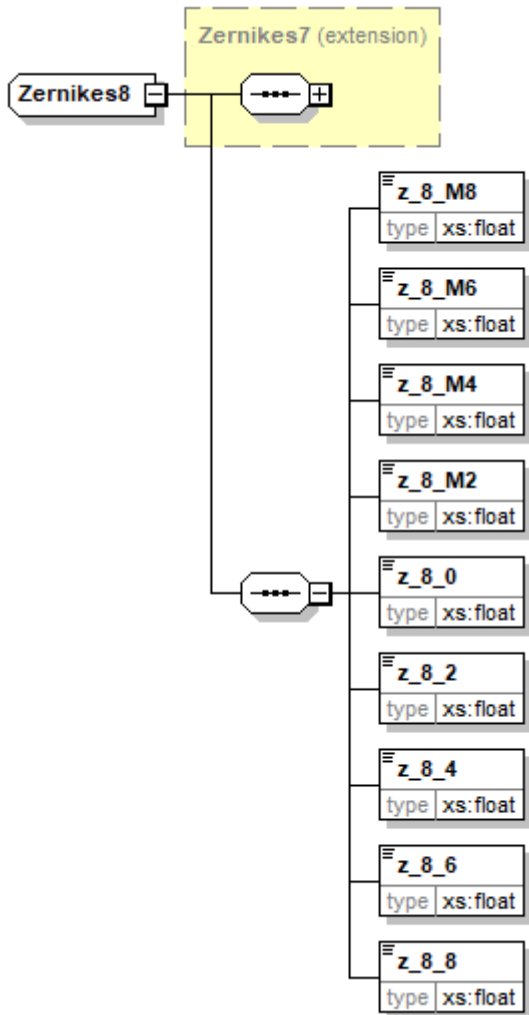


zernikes12 (Zernikes8)

b2boptic → items → item → pair → patient → iProfilerData → result → wavefrontEye → zernikes → zernikes12



| | |
|---------------------|-----------|
| base element | |
| type | zernikes7 |
| z_8_M8 | |
| type | float |
| unity | |
| occurs | 1 |
| description | |
| z_8_M6 | |
| type | float |
| unity | |
| occurs | 1 |
| description | |
| z_8_M4 | |
| type | float |
| unity | |

| | |
|--------------------|-------|
| z_8_M4 | |
| occurs | 1 |
| description | |
| z_8_M2 | |
| type | float |
| unity | |
| occurs | 1 |
| description | |
| z_8_0 | |
| type | float |
| unity | |
| occurs | 1 |
| description | |
| z_8_2 | |
| type | float |
| unity | |
| occurs | 1 |
| description | |
| z_8_4 | |
| type | float |
| unity | |
| occurs | 1 |
| description | |
| z_8_6 | |
| type | float |
| unity | |
| occurs | 1 |
| description | |
| z_8_8 | |
| type | float |
| unity | |
| occurs | 1 |
| description | |

```
<xs:complexType name="Zernikes8">
  <xs:complexContent mixed="false">
    <xs:extension base="Zernikes7">
      <xs:sequence>
        <xs:element name="z_8_M8" type="xs:float" />
        <xs:element name="z_8_M6" type="xs:float" />
        <xs:element name="z_8_M4" type="xs:float" />
        <xs:element name="z_8_M2" type="xs:float" />
        <xs:element name="z_8_0" type="xs:float" />
        <xs:element name="z_8_2" type="xs:float" />
        <xs:element name="z_8_4" type="xs:float" />
        <xs:element name="z_8_6" type="xs:float" />
      </xs:sequence>
    </xs:extension>
  </xs:complexContent>
</xs:complexType>
```

```
<xs:element name="z_8_8" type="xs:float" />  
</xs:sequence>  
</xs:extension>  
</xs:complexContent>  
</xs:complexType>
```

From:

<http://wiki.b2boptic.com/> - **wiki.b2bOptic.com**

Permanent link:

<http://wiki.b2boptic.com/en:lensorder:version010603:complextypes:zernikes8:zernikes12eye>

Last update: **2017/06/16 17:42**

