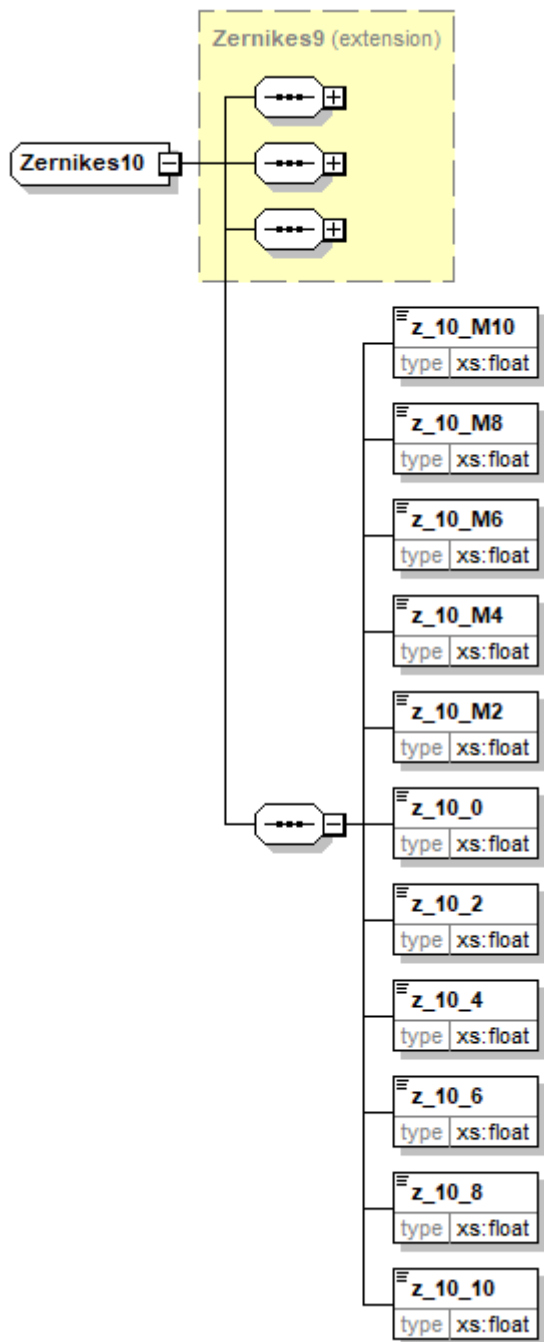


zernikes10 (Zernikes10)

b2boptic → items → item → pair → patient → iProfilerData → result → wavefrontEye → zernikes → zernikes10



base element	
type	zernikes9
z_10_M10	
type	float
unity	
occurs	1
description	

z_10_M8	
type	float
unity	
occurs	1
description	
z_10_M6	
type	float
unity	
occurs	1
description	
z_10_M4	
type	float
unity	
occurs	1
description	
z_10_M2	
type	float
unity	
occurs	1
description	
z_10_0	
type	float
unity	
occurs	1
description	
z_10_2	
type	float
unity	
occurs	1
description	
z_10_4	
type	float
unity	
occurs	1
description	
z_10_6	
type	float
unity	
occurs	1
description	
z_10_8	
type	float
unity	
occurs	1

z_10_8	
description	
z_10_10	
type	float
unity	
occurs	1
description	

```
<xs:complexType name="Zernikes10">  
  <xs:complexContent mixed="false">  
    <xs:extension base="Zernikes9">  
      <xs:sequence>  
        <xs:element name="z_10_M10" type="xs:float" />  
        <xs:element name="z_10_M8" type="xs:float" />  
        <xs:element name="z_10_M6" type="xs:float" />  
        <xs:element name="z_10_M4" type="xs:float" />  
        <xs:element name="z_10_M2" type="xs:float" />  
        <xs:element name="z_10_0" type="xs:float" />  
        <xs:element name="z_10_2" type="xs:float" />  
        <xs:element name="z_10_4" type="xs:float" />  
        <xs:element name="z_10_6" type="xs:float" />  
        <xs:element name="z_10_8" type="xs:float" />  
        <xs:element name="z_10_10" type="xs:float" />  
      </xs:sequence>  
    </xs:extension>  
  </xs:complexContent>  
</xs:complexType>
```

From:
<https://wiki.b2boptic.com/> - [wiki.b2bOptic.com](https://wiki.b2boptic.com/)

Permanent link:
<https://wiki.b2boptic.com/en:lensorder:version010603:complextypes:zernikes10:wavefronteye>

Last update: **2017/06/16 17:44**

