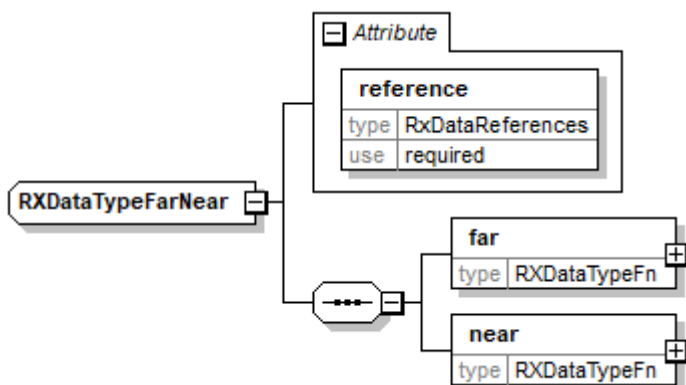


# rxDataFn (RXDataTypeFarNear)

b2boptic → items → item → pair → lens → rxDataFn



<b>reference</b>	
<b>type</b>	RxDataReferences
<b>use</b>	required
<b>description</b>	
<b>far</b>	
<b>type</b>	RXDataTypeFn
<b>occurs</b>	1
<b>near</b>	
<b>type</b>	RXDataTypeFn
<b>occurs</b>	1

```

<xs:complexType name="RXDataTypeFarNear">
  <xs:sequence>
    <xs:element name="far" type="RXDataTypeFn" />
    <xs:element name="near" type="RXDataTypeFn" />
  </xs:sequence>
  <xs:attribute name="reference" type="RxDataReferences" use="required" />
</xs:complexType>
  
```

From: <https://wiki.b2boptic.com/> - [wiki.b2bOptic.com](https://wiki.b2boptic.com/)

Permanent link: <https://wiki.b2boptic.com/en:lensorder:version010603:complextypes:rxdatatypefarnear>

Last update: 2017/06/16 17:23

