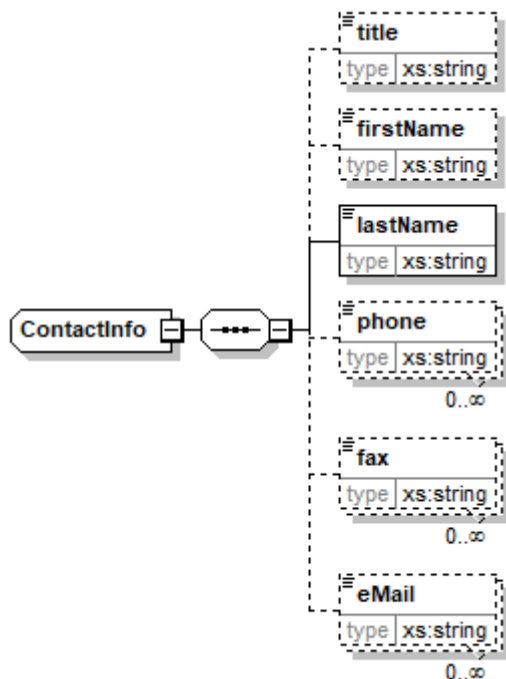


contact (ContactInfo)

b2boptic → items → item → pair → patient → contact



| | |
|--------------------|--------|
| title | |
| type | string |
| occurs | 0..1 |
| description | |
| firstName | |
| type | string |
| occurs | 0..1 |
| description | |
| lastName | |
| type | string |
| occurs | 1 |
| description | |
| phone | |
| type | string |
| occurs | 0..n |
| description | |
| fax | |
| type | string |
| occurs | 0..n |
| description | |
| eMail | |
| type | string |
| occurs | 0..n |
| description | |

```
<xs:complexType name="ContactInfo">
  <xs:sequence>
    <xs:element name="title" type="xs:string" minOccurs="0"/>
    <xs:element name="firstName" type="xs:string" minOccurs="0"/>
    <xs:element name="lastName" type="xs:string"/>
    <xs:element name="phone" type="xs:string" minOccurs="0"
maxOccurs="unbounded"/>
    <xs:element name="fax" type="xs:string" minOccurs="0"
maxOccurs="unbounded"/>
    <xs:element name="eMail" type="xs:string" minOccurs="0"
maxOccurs="unbounded"/>
  </xs:sequence>
</xs:complexType>
```

From:
<https://wiki.b2boptic.com/> - **wiki.b2bOptic.com**

Permanent link:
<https://wiki.b2boptic.com/en:lensorder:version010603:complextypes:contactinfo:patient>

Last update: **2017/06/16 17:13**

