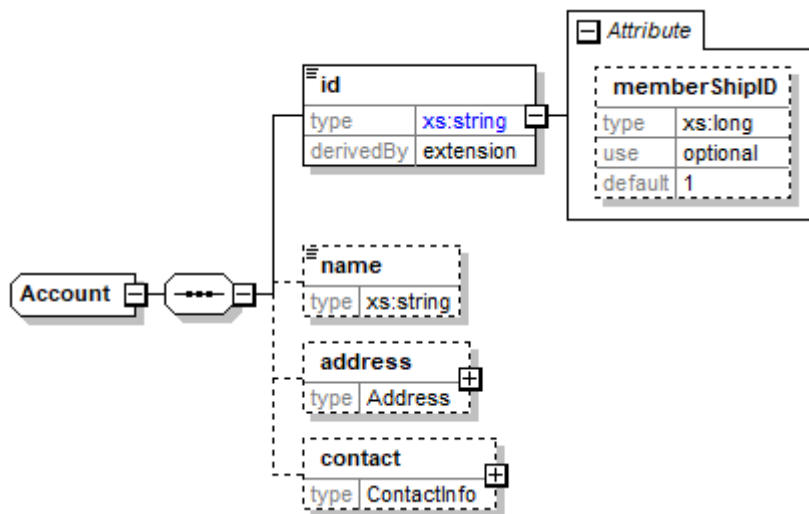


parties (Account)

b2boptic → items → item → parties



id	
type	string
occurs	1
description	customer number
memberShipID (attribute of id)	
type	long
use	optional
default	1
description	obsolete id for a brand of Zeiss, if old customer numbers are used
name	
type	string
occurs	0..1
description	name of the party
address	
type	Address
occurs	0..1
description	address of the party
contact	
type	ContactInfo
occurs	0..1
description	contact info of the party

```
<xs:complexType name="Account">
  <xs:sequence>
    <xs:element name="id">
      <xs:complexType>
        <xs:simpleContent>
          <xs:extension base="xs:string">
            <xs:attribute name="memberShipID" type="xs:long" use="optional" />
          </xs:extension>
        </xs:simpleContent>
      </xs:complexType>
    </xs:element>
  </xs:sequence>
</xs:complexType>
```

```
default="1"/>
  </xs:extension>
</xs:simpleContent>
</xs:complexType>
</xs:element>
<xs:element name="name" type="xs:string" minOccurs="0"/>
<xs:element name="address" type="Address" minOccurs="0"/>
<xs:element name="contact" type="ContactInfo" minOccurs="0"/>
</xs:sequence>
</xs:complexType>
```

From:
<https://wiki.b2boptic.com/> - **wiki.b2bOptic.com**

Permanent link:
<https://wiki.b2boptic.com/en:lensorder:version010603:complextypes:account:item>

Last update: **2017/06/16 17:08**

