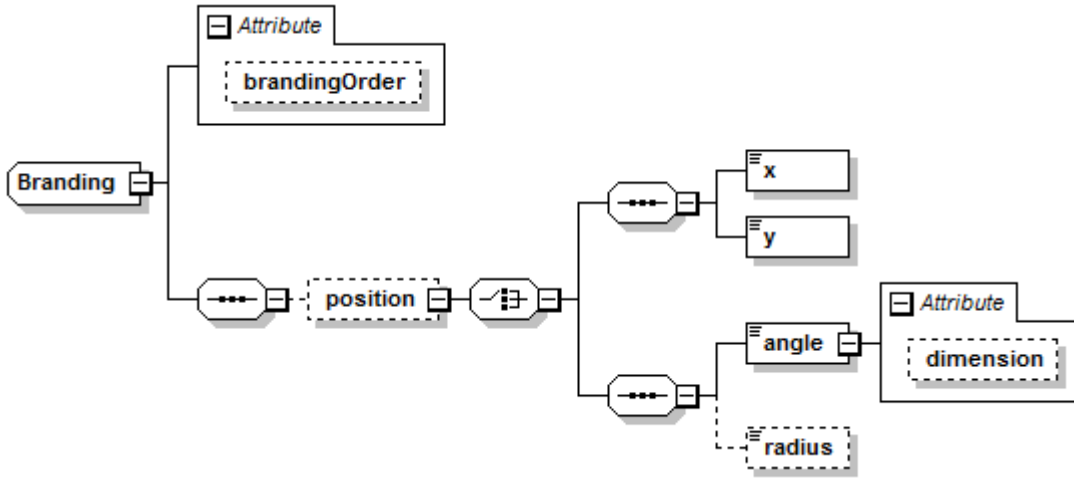


branding (Branding)

b2boptic → items → item → pair → lens → branding



<i>brandingOrder</i>	
type	BrandingOrder
use	optional
description	
position	
occurs	ISNEWLO010602 0..1
description	
x (element of position)	
type	float
unity	mm
occurs	1 (not together with angle and radius)
description	
y (element of position)	
type	float
unity	mm
occurs	1 (not together with angle and radius)
description	
angle (element of position)	
type	integer
unity	see attribute dimension
occurs	1 (not together with x and y)
description	
<i>dimension (attribute of angle)</i>	
type	AngleDimension
use	optional
default	DEG
description	

radius (element of position)	
type	float
unity	mm
occurs	1 (not together with x and y)
description	

```
<xs:complexType name="Branding">
  <xs:sequence>
    <xs:element name="position">
      <xs:complexType>
        <xs:choice>
          <xs:sequence>
            <xs:element name="x" type="xs:float"/>
            <xs:element name="y" type="xs:float"/>
          </xs:sequence>
          <xs:sequence>
            <xs:element name="angle">
              <xs:complexType>
                <xs:simpleContent>
                  <xs:extension base="xs:float">
                    <xs:attribute name="dimension" type="AngleDimension"
use="optional" default="DEG"/>
                  </xs:extension>
                </xs:simpleContent>
              </xs:complexType>
            </xs:element>
            <xs:element name="radius" type="xs:float" minOccurs="0"/>
          </xs:sequence>
        </xs:choice>
      </xs:complexType>
    </xs:element>
    <xs:attribute name="brandingOrder" type="BrandingOrder" use="optional"
default="MANUFACTURERDEFAULT"/>
  </xs:complexType>
```

From:
<https://wiki.b2boptic.com/> - **wiki.b2bOptic.com**

Permanent link:
<https://wiki.b2boptic.com/en:lensorder:version010602:complextypes:branding>

Last update: **2016/05/04 13:06**

