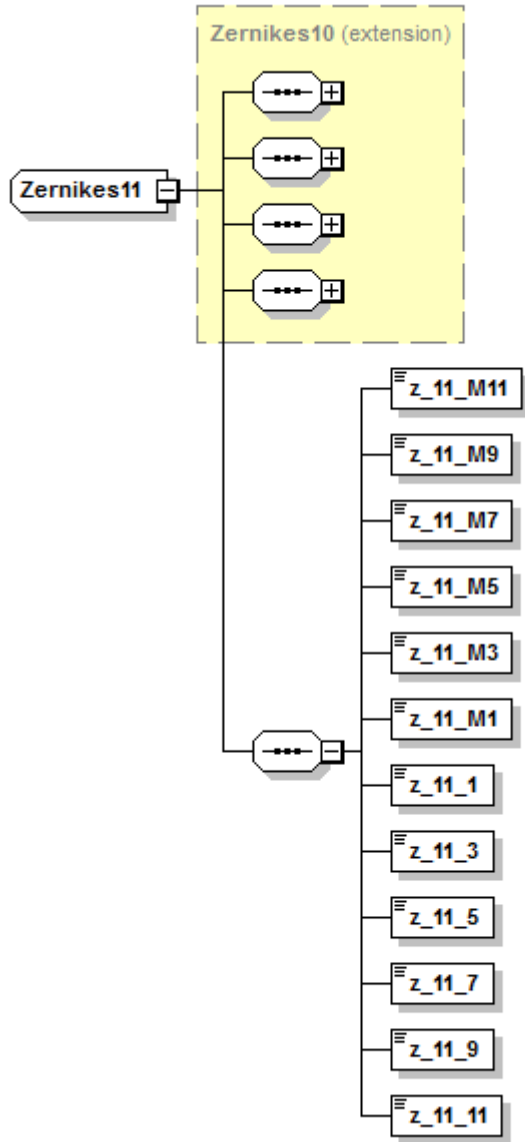


# zernikes11 (Zernikes11)

b2boptic → items → item → pair → patient → iProfilerData → result → wavefrontEye → zernikes → zernikes11



|                     |            |
|---------------------|------------|
| <b>base element</b> |            |
| <b>type</b>         | zernikes10 |
| <b>z_11_M11</b>     |            |
| <b>type</b>         | float      |
| <b>unity</b>        |            |
| <b>occurs</b>       | 1          |
| <b>description</b>  |            |
| <b>z_11_M9</b>      |            |
| <b>type</b>         | float      |
| <b>unity</b>        |            |
| <b>occurs</b>       | 1          |
| <b>description</b>  |            |

|                    |       |
|--------------------|-------|
| <b>z_11_M7</b>     |       |
| <b>type</b>        | float |
| <b>unity</b>       |       |
| <b>occurs</b>      | 1     |
| <b>description</b> |       |
| <b>z_11_M5</b>     |       |
| <b>type</b>        | float |
| <b>unity</b>       |       |
| <b>occurs</b>      | 1     |
| <b>description</b> |       |
| <b>z_11_M3</b>     |       |
| <b>type</b>        | float |
| <b>unity</b>       |       |
| <b>occurs</b>      | 1     |
| <b>description</b> |       |
| <b>z_11_M1</b>     |       |
| <b>type</b>        | float |
| <b>unity</b>       |       |
| <b>occurs</b>      | 1     |
| <b>description</b> |       |
| <b>z_11_1</b>      |       |
| <b>type</b>        | float |
| <b>unity</b>       |       |
| <b>occurs</b>      | 1     |
| <b>description</b> |       |
| <b>z_11_3</b>      |       |
| <b>type</b>        | float |
| <b>unity</b>       |       |
| <b>occurs</b>      | 1     |
| <b>description</b> |       |
| <b>z_11_5</b>      |       |
| <b>type</b>        | float |
| <b>unity</b>       |       |
| <b>occurs</b>      | 1     |
| <b>description</b> |       |
| <b>z_11_7</b>      |       |
| <b>type</b>        | float |
| <b>unity</b>       |       |
| <b>occurs</b>      | 1     |
| <b>description</b> |       |
| <b>z_11_9</b>      |       |
| <b>type</b>        | float |
| <b>unity</b>       |       |
| <b>occurs</b>      | 1     |

|                    |       |
|--------------------|-------|
| <b>z_11_9</b>      |       |
| <b>description</b> |       |
| <b>z_11_11</b>     |       |
| <b>type</b>        | float |
| <b>unity</b>       |       |
| <b>occurs</b>      | 1     |
| <b>description</b> |       |

```
<xs:complexType name="Zernikes11">  
  <xs:complexContent mixed="false">  
    <xs:extension base="Zernikes10">  
      <xs:sequence>  
        <xs:element name="z_11_M11" type="xs:float" />  
        <xs:element name="z_11_M9" type="xs:float" />  
        <xs:element name="z_11_M7" type="xs:float" />  
        <xs:element name="z_11_M5" type="xs:float" />  
        <xs:element name="z_11_M3" type="xs:float" />  
        <xs:element name="z_11_M1" type="xs:float" />  
        <xs:element name="z_11_1" type="xs:float" />  
        <xs:element name="z_11_3" type="xs:float" />  
        <xs:element name="z_11_5" type="xs:float" />  
        <xs:element name="z_11_7" type="xs:float" />  
        <xs:element name="z_11_9" type="xs:float" />  
        <xs:element name="z_11_11" type="xs:float" />  
      </xs:sequence>  
    </xs:extension>  
  </xs:complexContent>  
</xs:complexType>
```

From:  
<https://wiki.b2boptic.com/> - **wiki.b2bOptic.com**

Permanent link:  
<https://wiki.b2boptic.com/en:lensorder:version010601:complextypes:zernikes11:wavefronteye>

Last update: **2014/06/18 12:49**

