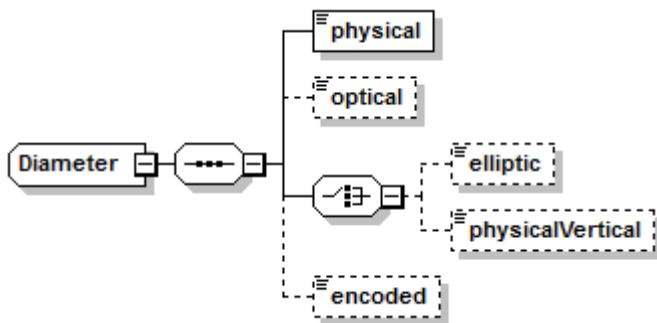


# diameter (Diameter)

b2boptic → items → item → stockLens → diameter



<b>physical</b>	
<b>type</b>	integer
<b>unity</b>	mm
<b>occurs</b>	1
<b>description</b>	physical diameter of the lens
<b>optical</b>	
<b>type</b>	integer
<b>unity</b>	mm
<b>occurs</b>	0..1
<b>description</b>	optical diameter of the lens
<b>elliptic</b>	
<b>type</b>	boolean
<b>occurs</b>	0..1 (not together with physicalVertical)
<b>default</b>	false
<b>description</b>	elliptic diameter of the lens
<b>physicalVertical</b>	
<b>type</b>	integer
<b>unity</b>	mm
<b>occurs</b>	0..1 (not together with elliptic)
<b>description</b>	vertical diameter of the physical lens
<b>encoded</b>	
<b>type</b>	string
<b>occurs</b>	0..1
<b>description</b>	diameter order code of catalog

```

<xs:complexType name="Diameter">
  <xs:sequence>
    <xs:element name="physical" type="xs:integer" />
    <xs:element minOccurs="0" name="optical" type="xs:integer" />
    <xs:choice>
      <xs:element minOccurs="0" default="false" name="elliptic"
type="xs:boolean" />
      <xs:element minOccurs="0" name="physicalVertical" type="xs:integer" />
    </xs:choice>
  </xs:sequence>
  <xs:element minOccurs="0" name="encoded" type="xs:string" />
</xs:complexType>
  
```

```
</xs:choice>  
<xs:element minOccurs="0" name="encoded" type="xs:string" />  
</xs:sequence>  
</xs:complexType>
```

From:  
<https://wiki.b2boptic.com/> - **wiki.b2bOptic.com**

Permanent link:  
<https://wiki.b2boptic.com/en:lensorder:version010601:complextypes:diameter:stocklens>

Last update: **2014/06/18 11:31**

