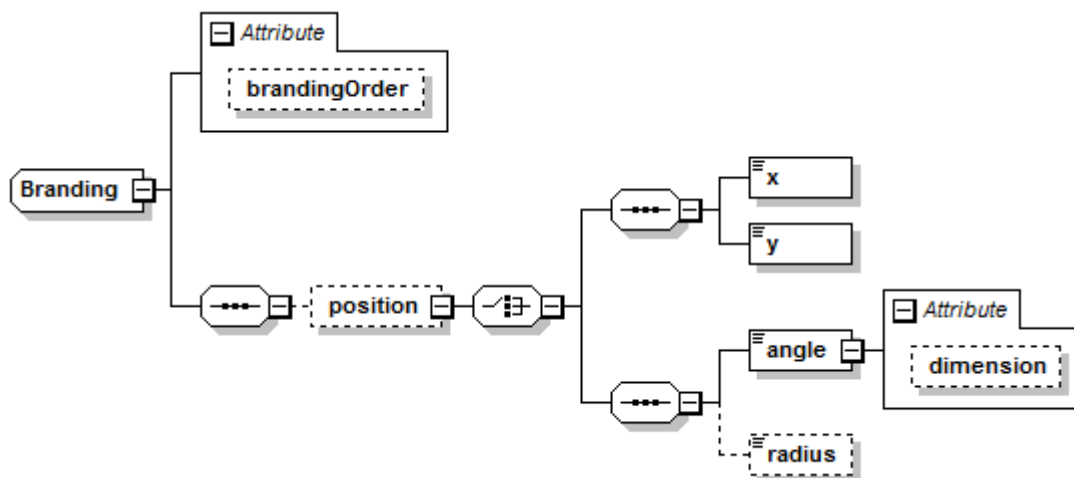


# branding (Branding)

b2boptic → items → item → pair → lens → branding



|                      |               |
|----------------------|---------------|
| <b>brandingOrder</b> |               |
| <b>type</b>          | BrandingOrder |
| <b>use</b>           | optional      |
| <b>description</b>   |               |

|                    |  |
|--------------------|--|
| <b>position</b>    |  |
| <b>occurs</b>      | <span style="background-color: yellow;">New!</span> 0..1 |
| <b>description</b> |  |

|                                |  |
|--------------------------------|--|
| <b>x (element of position)</b> |  |
| <b>type</b>                    | float                                  |
| <b>unity</b>                   | mm                                     |
| <b>occurs</b>                  | 1 (not together with angle and radius) |
| <b>description</b>             |  |

|                                |  |
|--------------------------------|--|
| <b>y (element of position)</b> |  |
| <b>type</b>                    | float                                  |
| <b>unity</b>                   | mm                                     |
| <b>occurs</b>                  | 1 (not together with angle and radius) |
| <b>description</b>             |  |

|                                    |                               |
|------------------------------------|-------------------------------|
| <b>angle (element of position)</b> |                               |
| <b>type</b>                        | integer                       |
| <b>unity</b>                       | see attribute dimension       |
| <b>occurs</b>                      | 1 (not together with x and y) |
| <b>description</b>                 |                               |

|                                       |                |
|---------------------------------------|----------------|
| <b>dimension (attribute of angle)</b> |                |
| <b>type</b>                           | AngleDimension |
| <b>use</b>                            | optional       |
| <b>default</b>                        | DEG            |
| <b>description</b>                    |                |

| radius (element of position) |                               |
|------------------------------|-------------------------------|
| type                         | float                         |
| unity                        | mm                            |
| occurs                       | 1 (not together with x and y) |
| description                  |                               |

```
<xs:complexType name="Branding">
  <xs:sequence>
    <xs:element name="position">
      <xs:complexType>
        <xs:choice>
          <xs:sequence>
            <xs:element name="x" type="xs:float"/>
            <xs:element name="y" type="xs:float"/>
          </xs:sequence>
          <xs:sequence>
            <xs:element name="angle">
              <xs:complexType>
                <xs:simpleContent>
                  <xs:extension base="xs:float">
                    <xs:attribute name="dimension" type="AngleDimension"
use="optional" default="DEG"/>
                  </xs:extension>
                </xs:simpleContent>
              </xs:complexType>
            </xs:element>
            <xs:element name="radius" type="xs:float" minOccurs="0"/>
          </xs:sequence>
        </xs:choice>
      </xs:complexType>
    </xs:element>
    <xs:attribute name="brandingOrder" type="BrandingOrder" use="optional"
default="MANUFACTURERDEFAULT"/>
  </xs:complexType>
```

From:  
<https://wiki.b2boptic.com/> - **wiki.b2bOptic.com**

Permanent link:  
<https://wiki.b2boptic.com/en:lensorder:version010601:complextypes:branding>

Last update: **2015/02/04 12:54**

