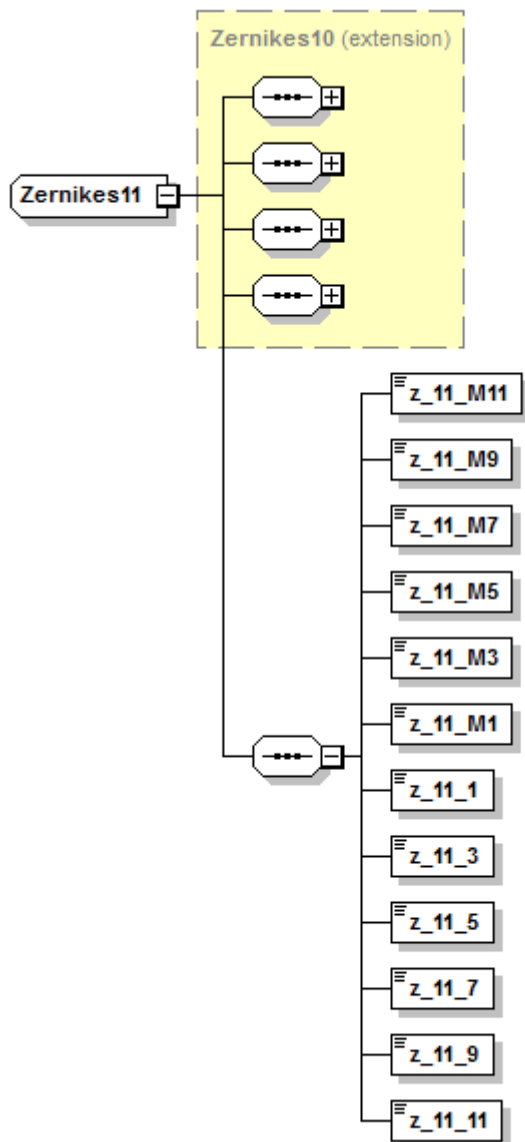


zernikes11 (Zernikes11)

b2boptic → items → item → pair → patient → iProfilerData → result → wavefrontCornea → zernikes → zernikes11



base element	
type	zernikes10
z_11_M11	
type	float
unity	
occurs	1
description	
z_11_M9	
type	float
unity	
occurs	1
description	

z_11_M7	
type	float
unity	
occurs	1
description	
z_11_M5	
type	float
unity	
occurs	1
description	
z_11_M3	
type	float
unity	
occurs	1
description	
z_11_M1	
type	float
unity	
occurs	1
description	
z_11_1	
type	float
unity	
occurs	1
description	
z_11_3	
type	float
unity	
occurs	1
description	
z_11_5	
type	float
unity	
occurs	1
description	
z_11_7	
type	float
unity	
occurs	1
description	
z_11_9	
type	float
unity	
occurs	1
description	

z_11_11	
type	float
unity	
occurs	1
description	

```
<xs:complexType name="Zernikes11">  
  <xs:complexContent mixed="false">  
    <xs:extension base="Zernikes10">  
      <xs:sequence>  
        <xs:element name="z_11_M11" type="xs:float" />  
        <xs:element name="z_11_M9" type="xs:float" />  
        <xs:element name="z_11_M7" type="xs:float" />  
        <xs:element name="z_11_M5" type="xs:float" />  
        <xs:element name="z_11_M3" type="xs:float" />  
        <xs:element name="z_11_M1" type="xs:float" />  
        <xs:element name="z_11_1" type="xs:float" />  
        <xs:element name="z_11_3" type="xs:float" />  
        <xs:element name="z_11_5" type="xs:float" />  
        <xs:element name="z_11_7" type="xs:float" />  
        <xs:element name="z_11_9" type="xs:float" />  
        <xs:element name="z_11_11" type="xs:float" />  
      </xs:sequence>  
    </xs:extension>  
  </xs:complexContent>  
</xs:complexType>
```

From:
<https://wiki.b2boptic.com/> - **wiki.b2bOptic.com**

Permanent link:
<https://wiki.b2boptic.com/en:lensorder:version010600:complextypes:zernikes11:wavefrontcornea>

Last update: **2014/06/13 15:57**

