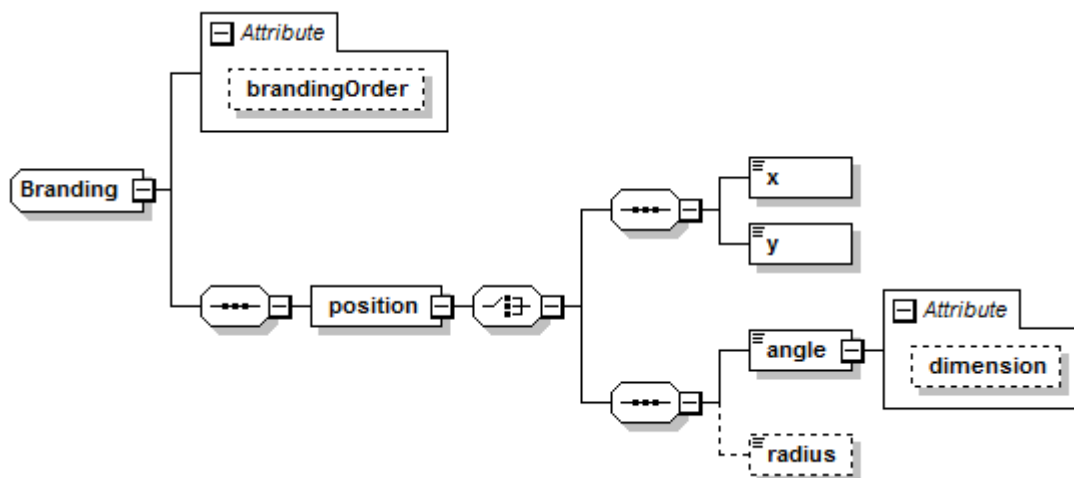


# branding (Branding)

b2boptic → items → item → pair → lens → branding



<b>brandingOrder</b>	
<b>type</b>	BrandingOrder
<b>use</b>	optional
<b>description</b>	

<b>position</b>	
<b>occurs</b>	1
<b>description</b>	

<b>x (element of position)</b>	
<b>type</b>	float
<b>unity</b>	mm
<b>occurs</b>	1 (not together with angle and radius)
<b>description</b>	

<b>y (element of position)</b>	
<b>type</b>	float
<b>unity</b>	mm
<b>occurs</b>	1 (not together with angle and radius)
<b>description</b>	

<b>angle (element of position)</b>	
<b>type</b>	integer
<b>unity</b>	see attribute dimension
<b>occurs</b>	1 (not together with x and y)
<b>description</b>	

<b>dimension (attribute of angle)</b>	
<b>type</b>	AngleDimension
<b>use</b>	optional
<b>default</b>	DEG
<b>description</b>	

<b>radius (element of position)</b>	
<b>type</b>	float
<b>unity</b>	mm
<b>occurs</b>	1 (not together with x and y)
<b>description</b>	

```
<xs:complexType name="Branding">
  <xs:sequence>
    <xs:element name="position">
      <xs:complexType>
        <xs:choice>
          <xs:sequence>
            <xs:element name="x" type="xs:float"/>
            <xs:element name="y" type="xs:float"/>
          </xs:sequence>
          <xs:sequence>
            <xs:element name="angle">
              <xs:complexType>
                <xs:simpleContent>
                  <xs:extension base="xs:float">
                    <xs:attribute name="dimension" type="AngleDimension"
use="optional" default="DEG"/>
                  </xs:extension>
                </xs:simpleContent>
              </xs:complexType>
            </xs:element>
            <xs:element name="radius" type="xs:float" minOccurs="0"/>
          </xs:sequence>
        </xs:choice>
      </xs:complexType>
    </xs:element>
    <xs:attribute name="brandingOrder" type="BrandingOrder" use="optional"
default="MANUFACTURERDEFAULT"/>
  </xs:complexType>
```

From:  
<https://wiki.b2boptic.com/> - **wiki.b2bOptic.com**

Permanent link:  
<https://wiki.b2boptic.com/en:lensorder:version010600:complextypes:branding>

Last update: **2014/06/11 16:02**

