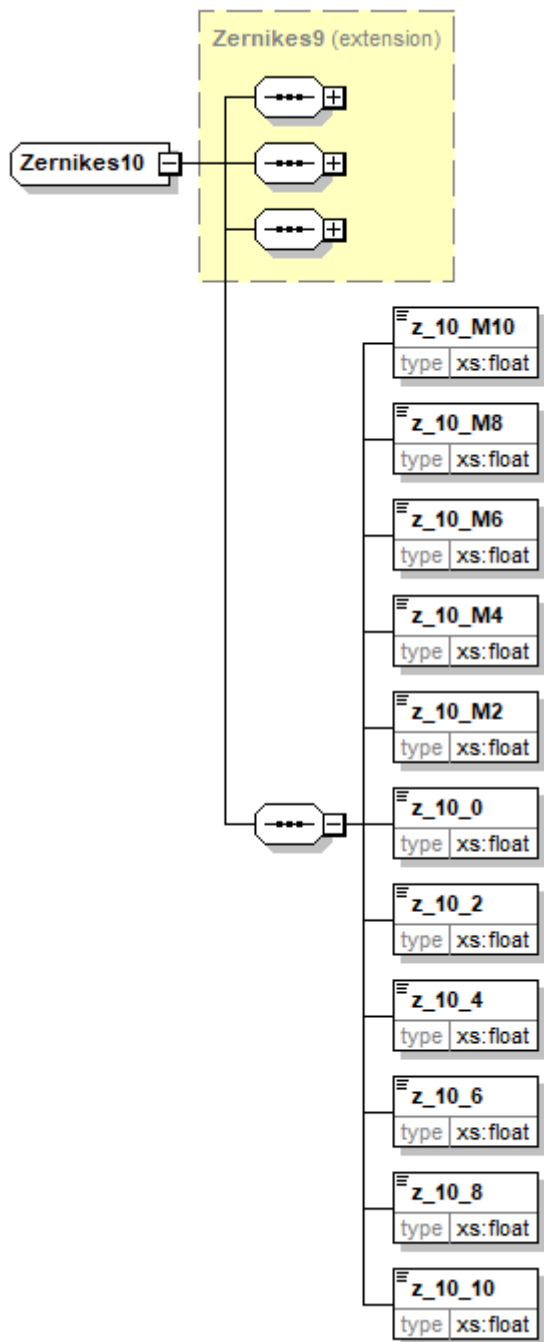


zernikes10 (Zernikes10)

b2bOpticJobData → items → item → pair → patient → iProfilerData → result → wavefrontCornea → zernikes → zernikes10



| | |
|---------------------|-----------|
| base element | |
| type | zernikes9 |
| z_10_M10 | |
| type | float |
| unity | |
| occurs | 1 |
| description | |

| | |
|--------------------|-------|
| z_10_M8 | |
| type | float |
| unity | |
| occurs | 1 |
| description | |
| z_10_M6 | |
| type | float |
| unity | |
| occurs | 1 |
| description | |
| z_10_M4 | |
| type | float |
| unity | |
| occurs | 1 |
| description | |
| z_10_M2 | |
| type | float |
| unity | |
| occurs | 1 |
| description | |
| z_10_0 | |
| type | float |
| unity | |
| occurs | 1 |
| description | |
| z_10_2 | |
| type | float |
| unity | |
| occurs | 1 |
| description | |
| z_10_4 | |
| type | float |
| unity | |
| occurs | 1 |
| description | |
| z_10_6 | |
| type | float |
| unity | |
| occurs | 1 |
| description | |
| z_10_8 | |
| type | float |
| unity | |
| occurs | 1 |

| | |
|--------------------|-------|
| z_10_8 | |
| description | |
| z_10_10 | |
| type | float |
| unity | |
| occurs | 1 |
| description | |

```

<xs:complexType name="Zernikes10">
  <xs:complexContent mixed="false">
    <xs:extension base="Zernikes9">
      <xs:sequence>
        <xs:element name="z_10_M10" type="xs:float" />
        <xs:element name="z_10_M8" type="xs:float" />
        <xs:element name="z_10_M6" type="xs:float" />
        <xs:element name="z_10_M4" type="xs:float" />
        <xs:element name="z_10_M2" type="xs:float" />
        <xs:element name="z_10_0" type="xs:float" />
        <xs:element name="z_10_2" type="xs:float" />
        <xs:element name="z_10_4" type="xs:float" />
        <xs:element name="z_10_6" type="xs:float" />
        <xs:element name="z_10_8" type="xs:float" />
        <xs:element name="z_10_10" type="xs:float" />
      </xs:sequence>
    </xs:extension>
  </xs:complexContent>
</xs:complexType>

```

From:
<https://wiki.b2boptic.com/> - **wiki.b2bOptic.com**

Permanent link:
<https://wiki.b2boptic.com/en/jobdata:version010604:complextypes:zernikes10:wavefrontcornea>

Last update: **2020/05/15 11:17**

