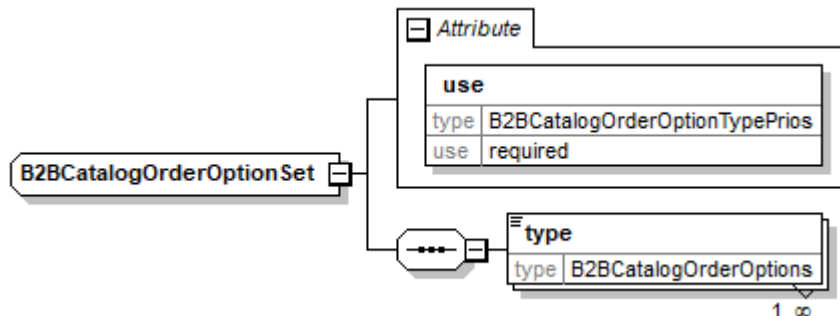


# B2BCatalogOrderOptionSet

b2bOpticLensCatalog→orderOptionGroups→orderOptionGroup  
 b2bOpticLensCatalog→orderOptionRules→orderOptionRule→matching  
 b2bOpticLensCatalog→orderOptionRules→orderOptionRule→replacement



use (attribute of complextype)	
type	B2BCatalogOrderOptionTypePrios
use	required
description	use can be MANDATORY or OPTIONAL
type	
type	B2BCatalogOrderOptions
occurs	1..∞
description	type of the OrderOption Details in B2BCatalogOrderOptions

```
<xs:complexType name="B2BCatalogOrderOptionSet">
  <xs:sequence>
    <xs:element name="type" type="B2BCatalogOrderOptions"
maxOccurs="unbounded"/>
  </xs:sequence>
  <xs:attribute name="use" type="B2BCatalogOrderOptionTypePrios"
use="required"/>
</xs:complexType>
```

From:  
<https://wiki.b2boptic.com/> - [wiki.b2boptic.com](https://wiki.b2boptic.com/)

Permanent link:  
<https://wiki.b2boptic.com/en:lenscatalog:version070200:complextypes:b2bcatalogorderoptionset>

Last update: 2020/05/15 07:35

